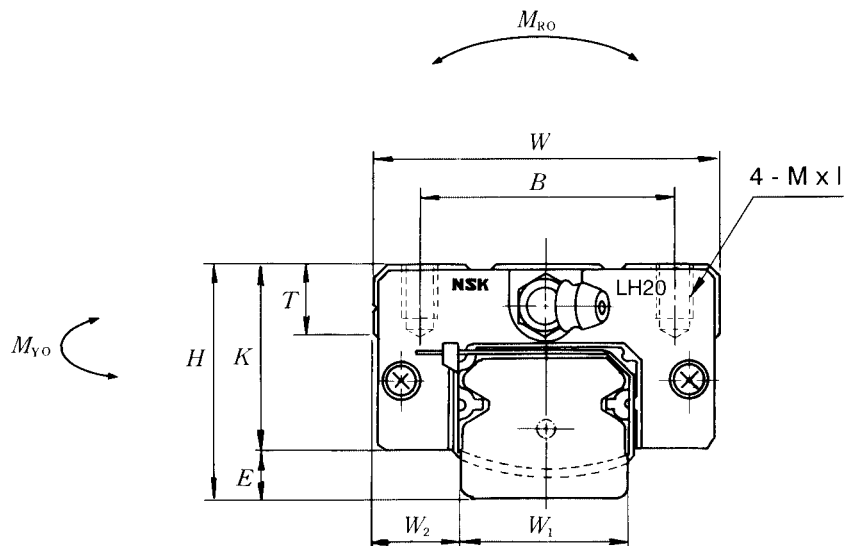


# LH Series Ball Slide Dimension Table

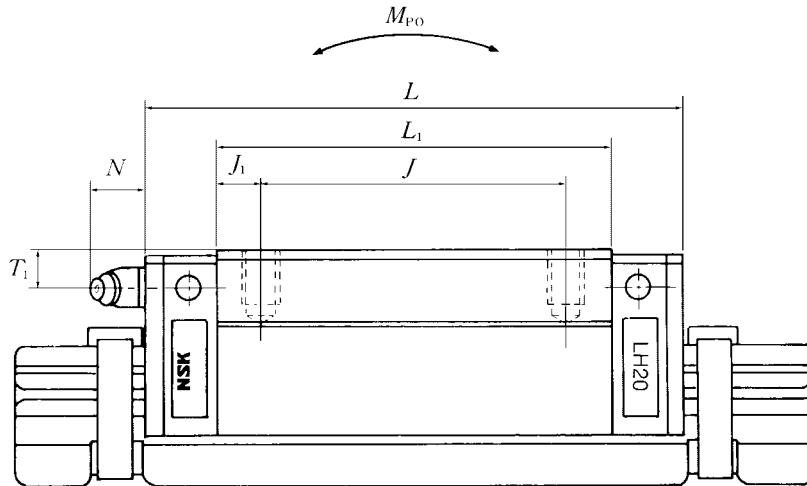
## Square Type

LAH-AN/ANZ  
LAH-BN/BNZ



Model No.	Ass'y Dimensions			Ball Slide Dimensions								
	$H$	$E$	$W_2$	$W$	$B$	$L$	$L_1$	$J$	$J_1$	$K$	$T$	$M \times l$
LAH15 AN/ANZ	28	4.6	9.5	34	26	55	39	26	6.5	23.4	8	M 4 x 6
LAH20 AN/ANZ LAH20 BN/BNZ	30	5	12	44	32	69.8 91.8	50 72	36 50	7 11	25	12	M 5 x 6
LAH25 AN/ANZ LAH25 BN/BNZ	40	7	12.5	48	35	79 107	58 86	35 50	11.5 18	33	12	M 6 x 9
LAH30 AN/ANZ LAH30 BN/BNZ	45	9	16	60	40	85.6 124.6	59 98	40 60	9.5 19	36	14	M 8 x 10
LAH35 AN/ANZ LAH35 BN/BNZ	55	9.5	18	70	50	109 143	80 114	50 72	15 21	45.5	15	M 8 x 12
LAH45 AN/ANZ LAH45 BN/BNZ	70	14	20.5	86	60	139 171	105 137	60 80	22.5 28.5	56	17	M10 x 17
LAH55 AN/ANZ LAH55 BN/BNZ	80	15	23.5	100	75	163 201	126 164	75 95	25.5 34.5	65	18	M12 x 18
LAH65 AN/ANZ LAH65 BN/BNZ	90	16	31.5	126	76	193 253	147 207	70 120	38.5 48.5	74	23	M16 x 20

Note:  $W_1$  rail dimensions are on Page 12.



Unit : mm

Grease Fitting			Basic Load Ratings					Weight (kgf)	Model No.
Mounting Hole Thread Spec.	$T_1$	$N$	Dynamic $C$ (kgf)	Static $C_0$ (kgf)	Static Moment (kgf•m)				
					$M_{RO}$	$M_{PO}$	$M_{VO}$		
Ø3 (thru hole)	8.5	3.3	850	1650	10	8	8	0.18	<b>LAH15 AN/ANZ</b>
M6x0.75	5	11	1450	2560	22	18	18	0.33	<b>LAH20 AN/ANZ</b>
			1860	4020	31	35	35	0.48	<b>LAH20 BN/BNZ</b>
M6x0.75	10	11	2140	4000	36	32	31	0.55	<b>LAH25 AN/ANZ</b>
			2740	5340	48	54	53	0.82	<b>LAH25 BN/BNZ</b>
M6x0.75	10	11	2620	4570	50	36	36	0.77	<b>LAH30 AN/ANZ</b>
			3800	7310	80	86	85	1.3	<b>LAH30 BN/BNZ</b>
M6x0.75	15	11	3960	7010	96	75	73	1.5	<b>LAH35 AN/ANZ</b>
			5060	9930	136	144	141	2.1	<b>LAH35 BN/BNZ</b>
PT1/8	20	13	6740	12100	216	170	168	3	<b>LAH45 AN/ANZ</b>
			8130	14900	264	251	248	3.9	<b>LAH45 BN/BNZ</b>
PT1/8	21	13	9940	17100	367	293	288	4.7	<b>LAH55 AN/ANZ</b>
			12000	21100	449	435	426	6.1	<b>LAH55 BN/BNZ</b>
PT1/8	19	13	15100	24500	629	495	484	7.7	<b>LAH65 AN/ANZ</b>
			19300	32700	834	850	830	10.8	<b>LAH65 BN/BNZ</b>

**NSK**