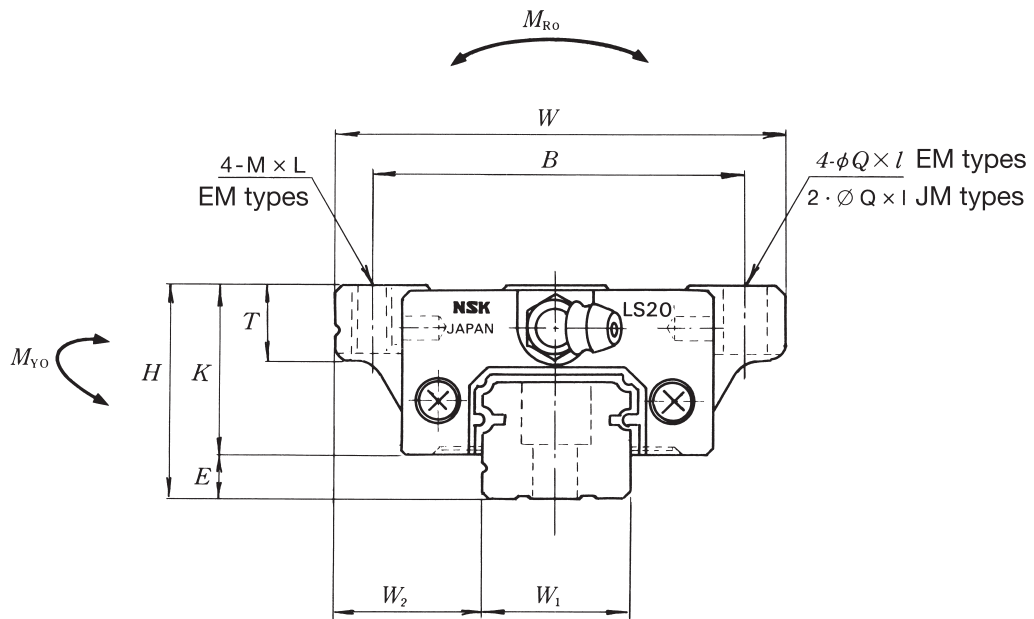
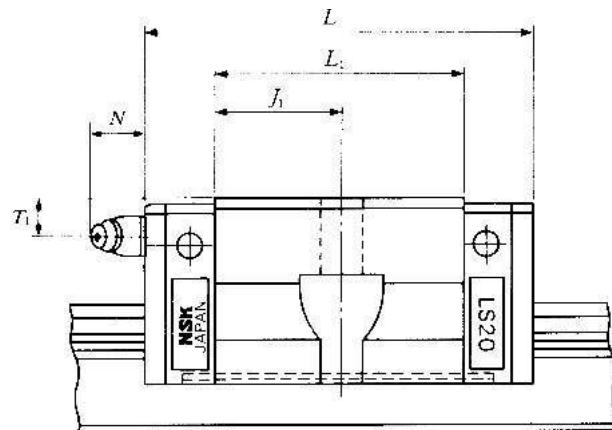


Sliders JMZ and EMZ type

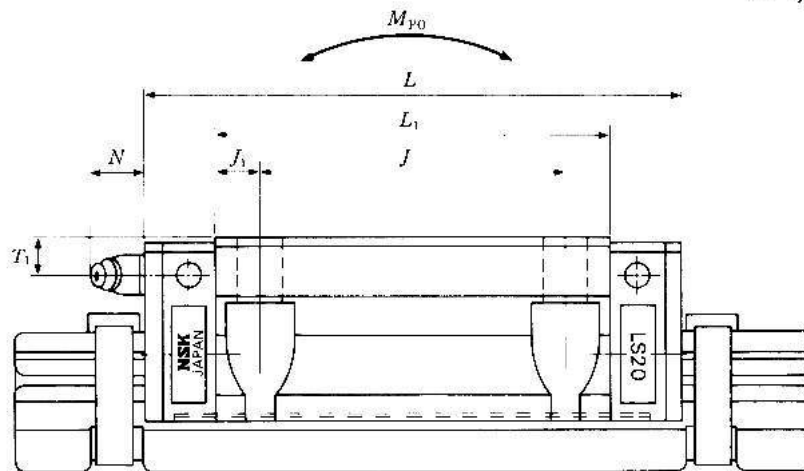


Slider mounted on a dummy rail. For dimensions of the rail see pages 54 and 55

Model-No.	Assembly (mm)			Slider (mm)								
	H	E	W ₂	W	B × J	L	L ₁	J ₁	K	T	Q × l	M × l
LAS 15 JMZ EMZ	24	4.6	18.5	52	41 41 × 26	40.4 56.8	23.6 40	11.8 7	9.4	8	4.5 × 7	M5 × 7
LAS 20 JMZ EMZ	28	6	19.5	59	49 49 × 32	47.2 65.2	30 48	15 8	22	10	5.3 × 9	M6 × 9
LAS 25 JMZ EMZ	33	7	25	73	60 60 × 35	59.4 81.4	38 60	19 12.5	26	11	6.8 × 10	M8 × 12
LAS 30 JMZ EMZ	42	9	31	90	72 × 40 72 × 40	96.4 96.4	71 71	15.5 15.5	33	11	8.6 × 12	M10 × 12
LAS 35 JMZ EMZ	48	10.5	33	100	82 × 50 82 × 50	108 108	80 80	15 15	37.5	12	8.6 × 13	M10 × 13



JM types



EM types

Slider mounted on a dummy rail. For dimensions of the rail see pages 54 and 55

Grease fitting (mm)			Basic load rating (N)		Static moment (Nm)			Weight (kg)	Slider length with 2 K1 (mm)
	T ₁	N	Dynamic C	Static C ₀	M _{RO}	M _{PO}	M _{YO}		
Ø 3	6	3	5 400	9 100	46	25	21	0.17	50
			8 350	16 900	85	77	65	0.26	66.4
M 6 × 0.75	5.5	11	7 900	13 400	92	47	39	0.24	57.8
			11 700	23 500	160	133	111	0.35	75.8
M 6 × 0.75	7	11	12 700	20 800	164	91	76	0.44	70.2
			18 800	36 500	286	258	217	0.66	92.2
M 6 × 0.75	8	11	28 800	55 000	520	435	365	1.20	79.4
			28 800	55 000	520	435	365	1.20	108.4
M 6 × 0.75	8.5	11	40 000	74 500	865	695	580	1.70	90
			40 000	74 500	865	695	580	1.70	121