



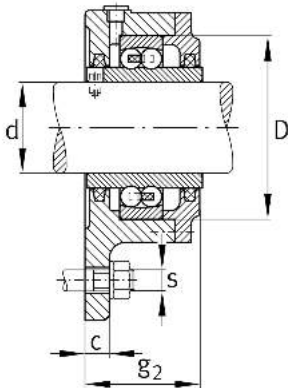
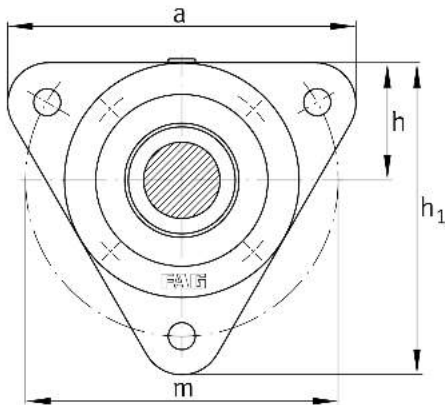
FAG

F11205

Flanged housing

Numer materiałowy Schaeffler:
0383828300000

Flanged housing for self-aligning ball bearing 112 with wide inner-ring, felt seal, grease lubrication



Main Dimensions & Performance Data

d	25 mm	Shaft diameter
a	110 mm	Flange width
g ₂	46 mm	Total width with cover
h ₁	100 mm	Height flange
	0,841 kg	Masa

Dimensions

	M10x1	Connection thread for lubrication
c	10 mm	Thickness of flange
D	52 mm	Outside diameter bearing
h	38 mm	Distance shaft axis
m	96 mm	Pitch circle diameter fixing holes
s	M10	Size of fixing screws