



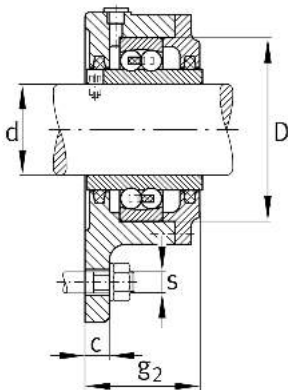
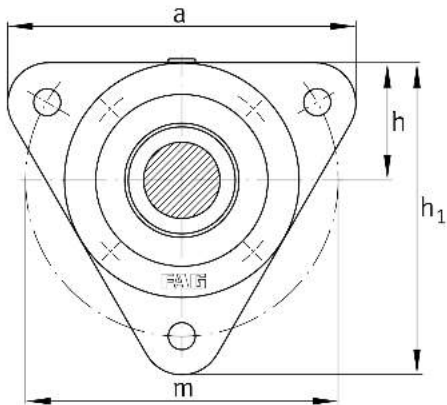
**FAG**

## F11207

Flanged housing

Schaeffler ID:  
0383828570000

Flanged housing for self-aligning ball bearing 112 with wide inner-ring, felt seal, grease lubrication



### Main Dimensions & Performance Data

d	35 mm	Shaft diameter
a	145 mm	Flange width
g <sub>2</sub>	54 mm	Total width with cover
h <sub>1</sub>	129,5 mm	Height flange
	1,75 kg	Weight

### Dimensions

	M10x1	Connection thread for lubrication
c	12 mm	Thickness of flange
D	72 mm	Outside diameter bearing
h	48,5 mm	Distance shaft axis
m	130 mm	Pitch circle diameter fixing holes
s	M12	Size of fixing screws