



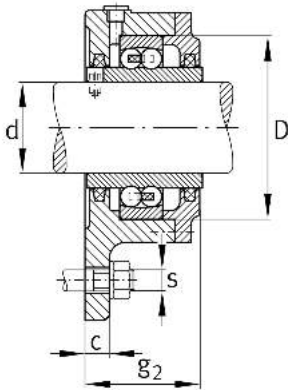
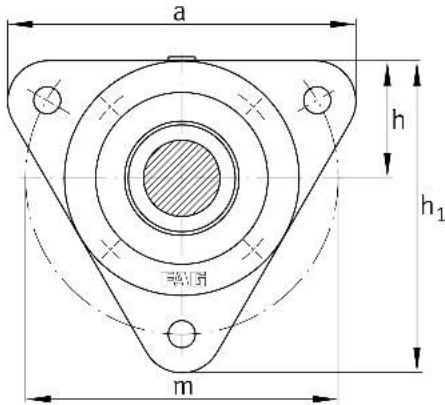
**FAG**

## F11208

### Flanged housing

Numer materiałowy Schaeffler:  
0383828650000

Flanged housing for self-aligning ball bearing 112 with wide inner-ring, felt seal, grease lubrication



#### Main Dimensions & Performance Data

d	40 mm	Shaft diameter
a	160 mm	Flange width
g <sub>2</sub>	60 mm	Total width with cover
h <sub>1</sub>	143 mm	Height flange
	2,2 kg	Masa

#### Dimensions

	M10x1	Connection thread for lubrication
c	12 mm	Thickness of flange
D	80 mm	Outside diameter bearing
h	54 mm	Distance shaft axis
m	140 mm	Pitch circle diameter fixing holes
s	M12	Size of fixing screws