



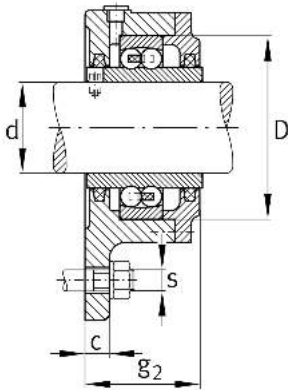
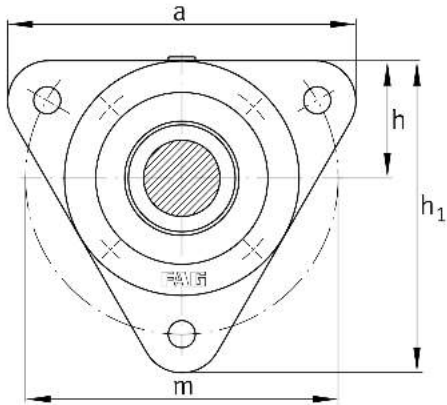
**FAG**

## F11209

### Flanged housing

Numer materialowy Schaeffler:  
0383828730000

Flanged housing for self-aligning ball bearing 112 with wide inner-ring, felt seal, grease lubrication



### Main Dimensions & Performance Data

d	45 mm	Shaft diameter
a	180 mm	Flange width
g <sub>2</sub>	62,5 mm	Total width with cover
h <sub>1</sub>	160 mm	Height flange
	2,964 kg	Masa

### Dimensions

	M10x1	Connection thread for lubrication
c	15 mm	Thickness of flange
D	85 mm	Outside diameter bearing
h	60 mm	Distance shaft axis
m	160 mm	Pitch circle diameter fixing holes
s	M12	Size of fixing screws