



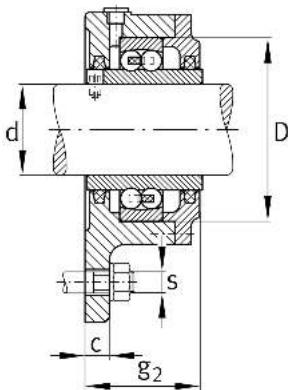
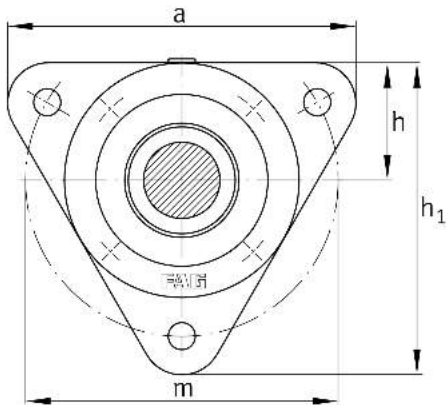
FAG

F11210

Flanged housing

Numer materialowy Schaeffler:
0167285300000

Flanged housing for self-aligning ball bearing 112 with wide inner-ring, felt seal, grease lubrication



Main Dimensions & Performance Data

d	50 mm	Shaft diameter
a	180 mm	Flange width
g ₂	62,5 mm	Total width with cover
h ₁	160 mm	Height flange
	3 kg	Masa

Dimensions

	M10x1	Connection thread for lubrication
c	15 mm	Thickness of flange
D	90 mm	Outside diameter bearing
h	60 mm	Distance shaft axis
m	160 mm	Pitch circle diameter fixing holes
s	M12	Size of fixing screws