



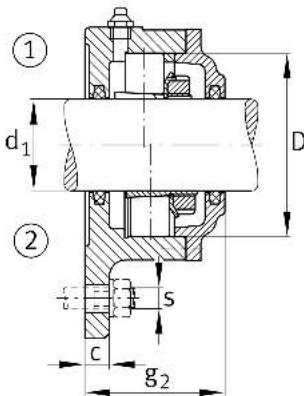
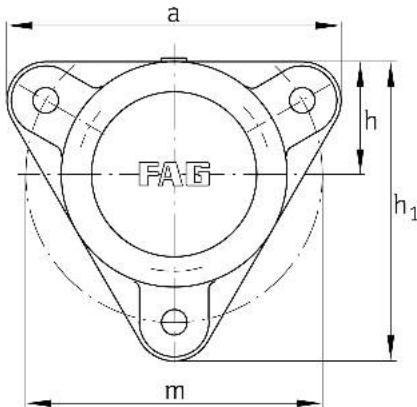
**FAG**

## F505-B-L

Flanged housing

Numer materiałowy Schaeffler:  
0383829030000

Flanged housing for various bearing types,  
with conical bore and clamping sleeve,  
continuous shaft



### Main Dimensions & Performance Data

$d_1$	20 mm	Shaft diameter
a	110 mm	Flange width
$h_1$	100 mm	height flange
$g_2$	55 mm	total width with cover
	3	number of fastening holes
	1,2 kg	Masa

### Dimensions

	M10x1	connection thread lubrication
c	10 mm	thickness of flange
D	52 mm	outside diameter bearing
$g_4$	16 mm	distance flange to bearing seat
h	38 mm	distance shaft axis
m	96 mm	pitch circle diameter fixing holes
s	M10	size of fixing screws