



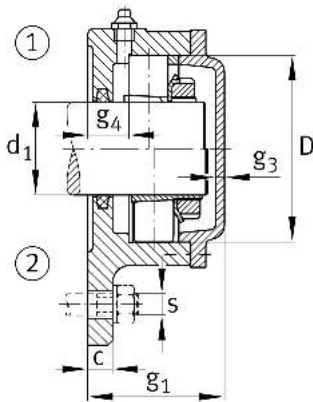
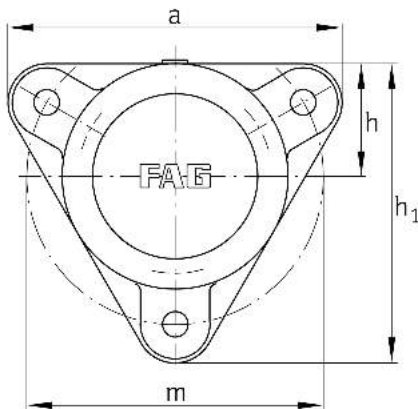
**FAG**

## F506-WA-L

Flanged housing

Numer materiałowy Schaeffler:  
0383829110000

Flanged housing for various bearing types, wide version with conical bore and clamping sleeve, closed on one side



### Main Dimensions & Performance Data

$d_1$	25 mm	Shaft diameter
a	130 mm	Flange width
$h_1$	117 mm	height flange
$g_2$	55 mm	total width with cover
	3	number of fastening holes
	1,537 kg	Masa

### Dimensions

	M10x1	connection thread lubrication
c	12 mm	thickness of flange
D	62 mm	outside diameter bearing
$g_4$	16 mm	distance flange to bearing seat
h	44 mm	distance shaft axis
m	116 mm	pitch circle diameter fixing holes
s	M10	size of fixing screws