



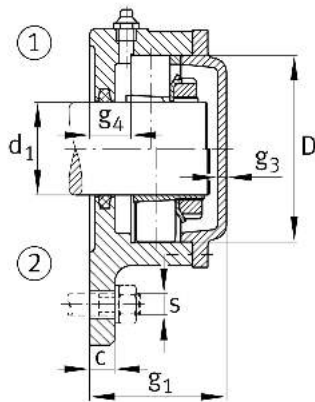
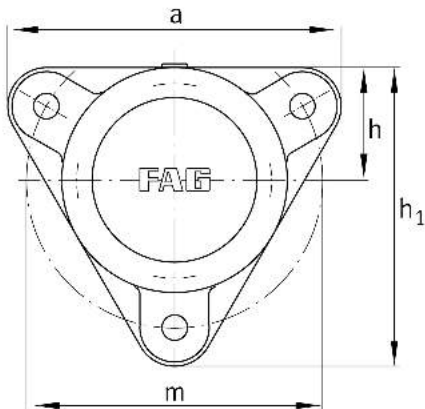
FAG

F508-WA-L

Flanged housing

Numer materiałowy Schaeffler:
0191672700000

Flanged housing for various bearing types, wide version with conical bore and clamping sleeve, closed on one side



Main Dimensions & Performance Data

d_1	35 mm	Shaft diameter
a	160 mm	Flange width
h_1	143 mm	height flange
g_2	70 mm	total width with cover
	3	number of fastening holes
	2,9 kg	Masa

Dimensions

	M10x1	connection thread lubrication
c	12 mm	thickness of flange
D	80 mm	outside diameter bearing
g_4	22 mm	distance flange to bearing seat
h	54 mm	distance shaft axis
m	140 mm	pitch circle diameter fixing holes
s	M12	size of fixing screws