



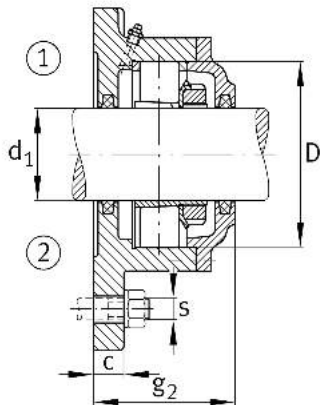
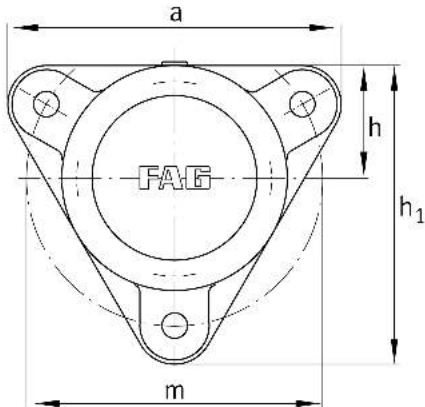
**FAG**

## F509-WB-L

Flanged housing

Numer materiałowy Schaeffler:  
0383829540000

Flanged housing for various bearing types, wide version with conical bore and clamping sleeve, continuous shaft



### Main Dimensions & Performance Data

$d_1$	40 mm	Shaft diameter
a	180 mm	Flange width
$h_1$	160 mm	height flange
$g_2$	74 mm	total width with cover
	3	number of fastening holes
	3,629 kg	Masa

### Dimensions

	M10x1	connection thread lubrication
c	15 mm	thickness of flange
D	85 mm	outside diameter bearing
$g_4$	22 mm	distance flange to bearing seat
h	60 mm	distance shaft axis
m	160 mm	pitch circle diameter fixing holes
s	M12	size of fixing screws