

FNL 512 B + 22212 K + H 312

FNL flanged housings for bearings on an adapter sleeve

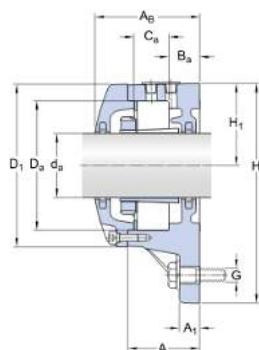
Technical specification

ASSOCIATED PRODUCTS

Bearing (basic designation)	22212 K
Adapter sleeve	H 312
Locating ring	FRB 2/110

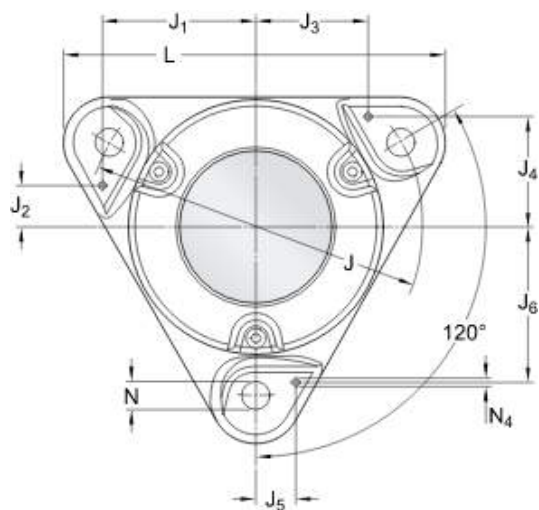
INCLUDED PRODUCTS

Contact seal	2 x TFL 512
--------------	-------------



DIMENSIONS

d_a	55 mm
C_a	30 mm
D_a	110 mm
A	58 mm
A_1	15 mm
A_B	83 mm
B_a	23 mm
D	142 mm
H	189 mm
H_1	72 mm



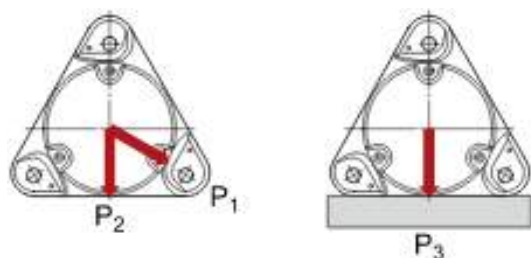
J	180 mm
L	210 mm
N	14 mm

DOWEL PINS

J ₁	84 mm
J ₂	22 mm
J ₃	62 mm
J ₄	61 mm
J ₅	22 mm
J ₆	84 mm
N ₄	max. 8 mm

BREAKING LOADS, HOUSING

P ₁	120 kN
P ₂	95 kN
P ₃	115 kN



MASS

Mass housing	5.2 kg
--------------	--------

MOUNTING INFORMATION

Cover bolt, size	3 x M 6x20
Cover bolt, rec. tightening torque	10 N·m