

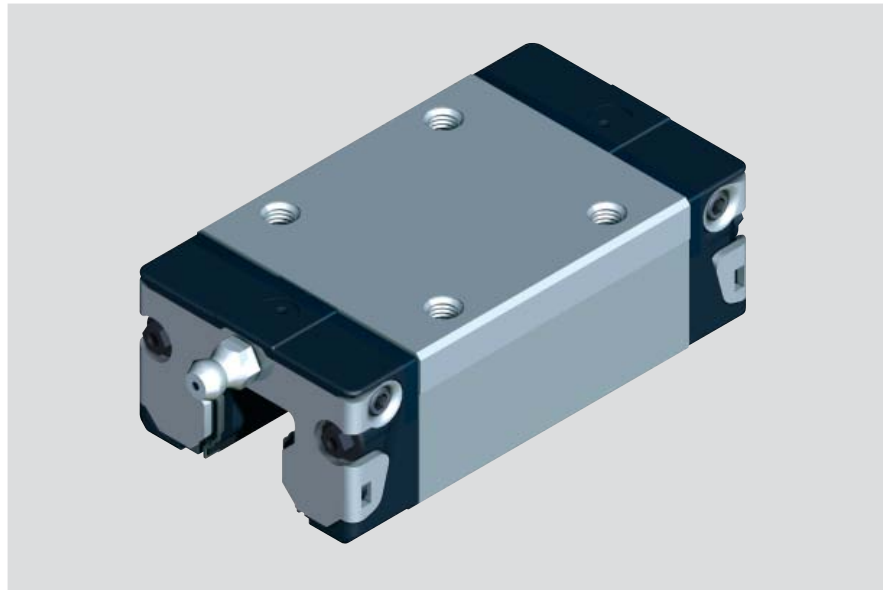
Runner Blocks Slimline, Steel Version

Runner Block SNS R1622

Slimline Standard

Versions:

- Runner block without ball chain:
for part numbers, see table
- Runner block with low friction seal
without ball chain^{**}:
Part numbers R1622 xxx 21
- Runner block with ball chain:
part numbers R1622 xxx 21
- Runner block with low friction seal
with ball chain^{**}:
Part numbers R1622 xxx 22



Dynamic Characteristics

Speed $v_{max} = 5 \text{ m/s}$

Acceleration $a_{max} = 500 \text{ m/s}^2$

Precision Runner Block

- Pre-lubricated

Corrosion resistant version

- Pre-lubricated

For Resist NR corrosion-resistant Steel runner block, see appropriate section.

For Resist NR II - All corrosion-resistant steel parts, see appropriate section.

High Precision Runner Blocks

- Further improved movement accuracy
- Superior quality
- Highest precision
- Pre-lubricated
- Minimal oil preservation

Preload Class

C0 = without Preload

C1 = Preload 2% C

C2 = Preload 8% C

C3 = Preload 13% C

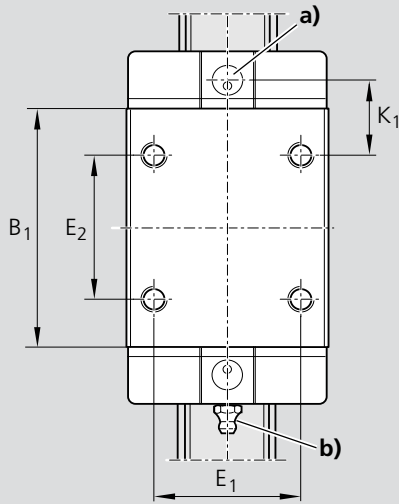
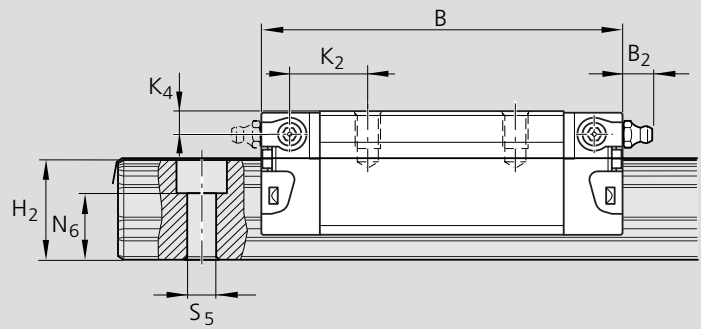
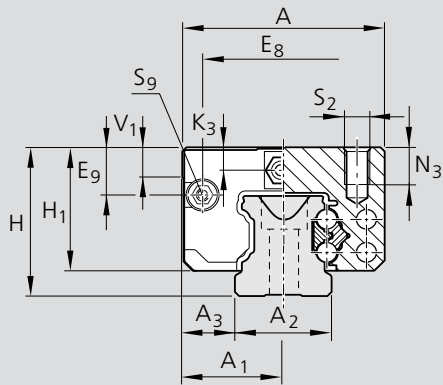
For further technical information, please see chapter on "General Technical Data and Calculations".

Size	Accuracy Class	Part numbers for runner blocks for preload class		
		C0	C1	C2
15	N	R1622 194 20	R1622 114 20	R1622 124 20
	H	R1622 193 20	R1622 113 20	R1622 123 20
	P		R1622 112 20	R1622 122 20
20	N	R1622 894 20	R1622 814 20	R1622 824 20
	H	R1622 893 20	R1622 813 20	R1622 823 20
	P		R1622 812 20	R1622 822 20
25	N	R1622 294 20	R1622 214 20	R1622 224 20
	H	R1622 293 20	R1622 213 20	R1622 223 20
	P		R1622 212 20	R1622 222 20
30	N	R1622 794 20	R1622 714 20	R1622 724 20
	H	R1622 793 20	R1622 713 20	R1622 723 20
	P		R1622 712 20	R1622 722 20
35	N	R1622 394 20	R1622 314 20	R1622 324 20
	H	R1622 393 20	R1622 313 20	R1622 323 20
	P		R1622 312 20	R1622 322 20
45*	N	R1622 494 20	R1622 414 20	R1622 424 20
	H	R1622 493 20	R1622 413 20	R1622 423 20
	P		R1622 412 20	R1622 422 20

Size	Accuracy Class	Part numbers for runner blocks for preload class		
		C1	C2	C3
15	XP	R1622 118 20	R1622 128 20	R1622 138 20
20	XP	R1622 818 20	R1622 828 20	R1622 838 20
25	XP	R1622 218 20	R1622 228 20	R1622 238 20
30	XP	R1622 718 20	R1622 728 20	R1622 738 20
35	XP	R1622 318 20	R1622 328 20	R1622 338 20
45*	XP	R1622 418 20	R1622 428 20	R1622 438 20

* No delivery with low friction seal

** Low friction seal available for preload C0 and C1 (only for precision classes N, H, XP)



a) For O-ring
 Size 15: dia. 4 · 1.0 (mm)
 Size 20-45: dia. 5 · 1.0 (mm)
 Open lube bore as required.
 See Accessories:
 Mounting lubrication adapter.

b) Lube nipple sizes 15 and 20:
 funnel-type nipple
 Type A – M3 x 5, DIN 3405
 $B_2 = 1.6$ mm
 If another lube nipple is used:
 observe the screw-in depth of 5 mm!
 Size 25 to 45: M6 x 8,
 DIN 71412
 $B_2 = 9.5$ mm
 If another lube nipple is used:
 observe the screw-in depth of 8 mm!
 Connection possible at all sides.

Dimensions (mm)

Size	A	A ₁	A ₂	A ₃	B	B ₁	H	H ₁	H ₂ ¹⁾	H ₂ ²⁾	V ₁	E ₁	E ₂	E ₈	E ₉	K ₁	K ₂	K ₃	K ₄
15	34	17	15	9.5	58.2	39.2	24	19.90	16.30	16.20	5.0	26	26	24.55	6.70	10.00	11.60	3.20	3.20
20	44	22	20	12.0	75.0	49.6	30	25.35	20.75	20.55	6.0	32	36	32.50	7.30	13.80	13.80	3.35	3.35
25	48	24	23	12.5	86.2	57.8	36	29.90	24.45	24.25	7.5	35	35	38.30	11.50	17.45	18.60	5.50	5.50
30	60	30	28	16.0	97.7	67.4	42	35.35	28.55	28.35	7.0	40	40	48.40	14.60	20.00	21.70	6.05	6.05
35	70	35	34	18.0	110.5	77.0	48	40.40	32.15	31.85	8.0	50	50	58.00	17.35	20.50	22.00	6.90	6.90
45	86	43	45	20.5	137.6	97.0	60	50.30	40.15	39.85	10.0	60	60	69.80	20.90	27.30	29.30	8.20	8.20

¹⁾ Dimension H₂ with rail seal cover strip

²⁾ Dimension H₂ without rail seal cover strip

Size	N ₃	Dimensions (mm)				Mass (kg)	Load Capacities (N) ³⁾		Moments (Nm)			
		N ₆ ^{±0.5}	S ₂	S ₅	S ₉		C dyn.	C ₀ stat.	M _t dyn.	M _{t0} stat.	M _L dyn.	M _{L0} stat.
15	6.0	10.3	M4	4.4	M2.5-3.5 deep	0.15	7 800	13 500	74	130	40	71
20	7.5	13.2	M5	6.0	M3-5 deep	0.35	18 800	24 400	240	310	130	165
25	9.0	15.2	M6	7.0	M3-5 deep	0.50	22 800	30 400	320	430	180	240
30	12.0	17.0	M8	9.0	M3-5 deep	0.85	31 700	41 300	540	720	290	380
35	13.0	20.5	M8	9.0	M3-5 deep	1.25	41 900	54 000	890	1 160	440	565
45	18.0	23.5	M10	14.0	M4-7 deep	2.40	68 100	85 700	1 830	2 310	890	1 130

³⁾ Load capacities for version without ball chain. Load capacities for version with ball chain, see Product Overview with Load Capacities. Determination of the dynamic of the load capacities and moments is based on 100,000 m of stroke travel. Often only 50,000 m are actually stipulated. Comparison: Value C, M_t und M_L per table multiplied by 1.26.