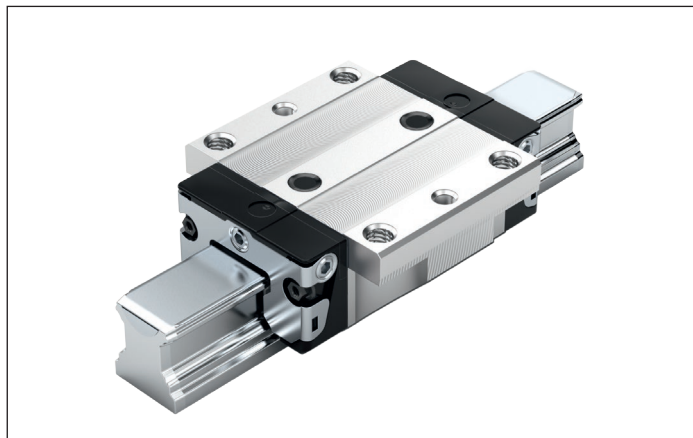


FNS – Flange normal standard height, R1631 ... 2.

**R1631 ... 2.****Dynamic characteristics**

Travel speed: $v_{\max} = 5 \text{ m/s}$
 Acceleration: $a_{\max} = 500 \text{ m/s}^2$
 (If $F_{\text{comb}} > 2.8 \cdot F_{\text{pr}}$: $a_{\max} = 50 \text{ m/s}^2$)

Note on lubrication

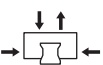
► Pre-lubricated

Note


Can be used on all ball guide rails SNS.

Options/material numbers/technical data

Size	Ball runner block with size	Preload class		Accuracy class		Seal with ball runner blocks			
		C0	C1	N	H	without ball chain		with ball chain	
						SS	LS	SS	LS
15	R1631 1	9	1	4	3	20	21	22	23
20	R1631 8	9	1	4	3	20	21	22	23
25	R1631 2	9	1	4	3	20	21	22	23
30	R1631 7	9	1	4	3	20	21	22	23
35	R1631 3	9	1	4	3	20	21	22	23
e.g.	R1631 7		1		3	20			

Size	Load capacities ¹⁾ (N)	Permissible load (N)	Load moments ¹⁾ (Nm)			
	 C		F_{\max}	M_t	$M_{t \max}$	M_L
15	9 860	3 000	95	29	68	16
20	23 400	7 200	300	92	200	50
25	28 600	8 800	410	125	290	70
30	36 500	12 200	630	210	440	110
35	51 800	16 200	1 110	345	720	170

1) Load capacities and load moments for ball runner blocks **without** ball chain.

Load capacities and load moments for ball runner blocks **with** ball chain  13

Determination of the dynamic load capacities and load moments is based on a 100,000 m travel life according to DIN ISO14728-1. Often only 50,000 m are actually stipulated. For comparison: Multiply values **C**, M_t and M_L by 1.26 according to the table.

Order example

Options:

- FNS ball runner block
- Size 30
- Preload class C1
- Accuracy class H
- With standard seal, without ball chain

Part number:

R1631 713 20

Preload classes

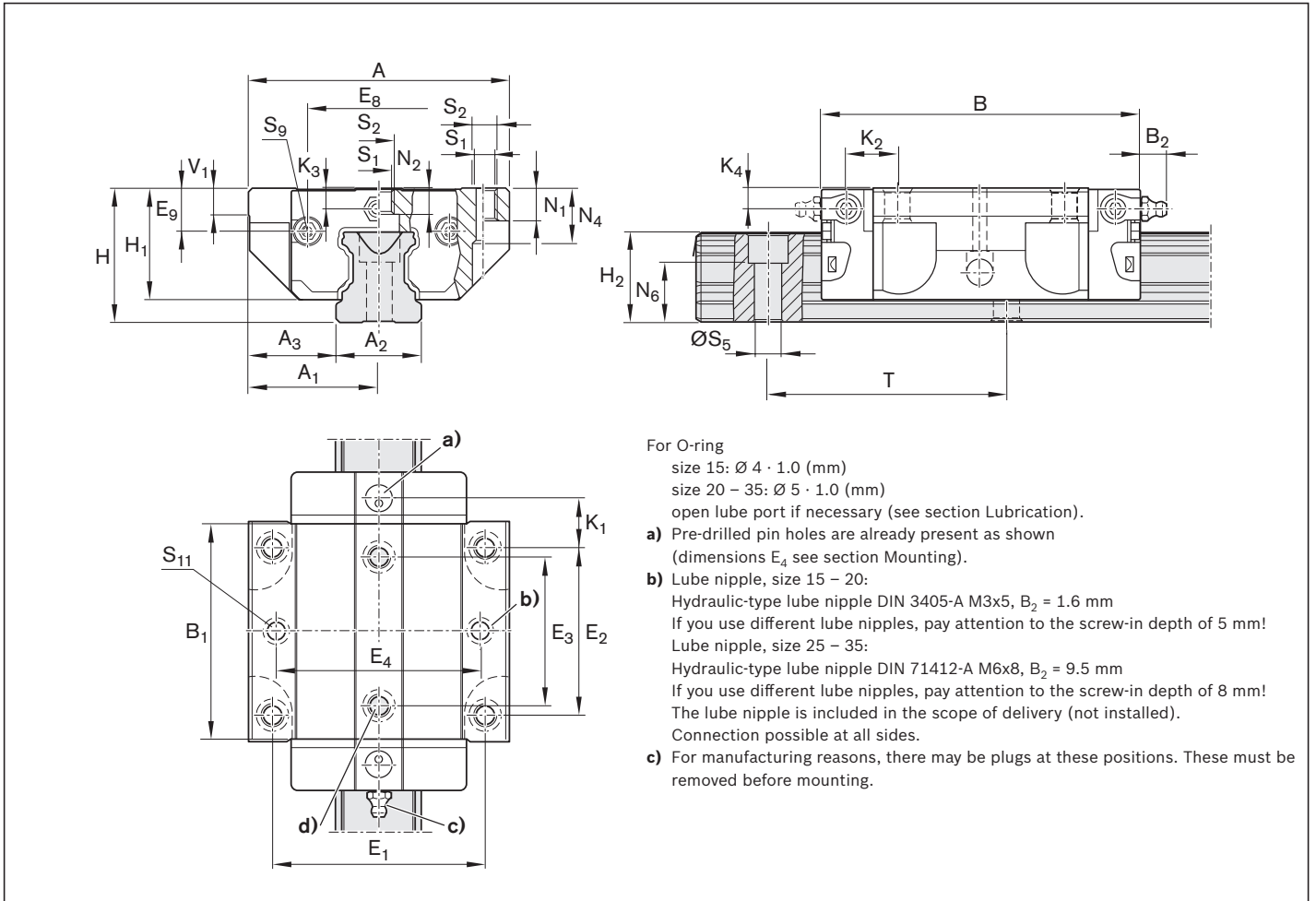
C0 = Without preload (clearance)
 C1 = Moderate preload

Seals

SS = standard seal
 LS = low-friction seal

Key

Gray digits
 = No preferred variant/
 combination
 (Some delivery times may be longer)



Size	Dimensions (mm)																			
	A	A ₁	A ₂	A ₃	B ^{+0.5}	B ₁	E ₁	E ₂	E ₃	E ₈	E ₉	H	H ₁	H ₂ ¹⁾	H ₂ ²⁾	K ₁	K ₂	K ₃	K ₄	
15	47	23.5	15	16.0	58.2	39.2	38	30	26	24.55	6.70	24	19.90	16.30	16.20	8.00	9.6	3.20	3.20	
20	63	31.5	20	21.5	75.0	49.6	53	40	35	32.50	7.30	30	25.35	20.75	20.55	11.80	11.8	3.35	3.35	
25	70	35.0	23	23.5	86.2	57.8	57	45	40	38.30	11.50	36	29.90	24.45	24.25	12.45	13.6	5.50	5.50	
30	90	45.0	28	31.0	97.7	67.4	72	52	44	48.40	14.60	42	35.35	28.55	28.35	14.00	15.7	6.05	6.05	
35	100	50.0	34	33.0	110.5	77.0	82	62	52	58.00	17.35	48	40.40	32.15	31.85	14.50	16.0	6.90	6.90	

Size	Dimensions (mm)											Weight (kg)
	N ₁	N ₂	N ₄	N ₆ ^{±0.5}	S ₁	S ₂	S ₅	S ₉	S ₁₁	T	V ₁	
15	5.2	4.40	10.3	10.3	4.3	M5	4.5	M2.5x3.5	3.7	60	5.0	0.10
20	7.7	5.20	13.5	13.2	5.3	M6	6.0	M3x5	4.7	60	6.0	0.24
25	9.3	7.00	17.8	15.2	6.7	M8	7.0	M3x5	5.7	60	7.5	0.30
30	11.0	7.90	20.5	17.0	8.5	M10	9.0	M3x5	7.7	80	7.0	0.55
35	12.0	10.15	24.0	20.5	8.5	M10	9.0	M3x5	7.7	80	8.0	0.75

- 1) Dimension H_2 with cover strip
 2) Dimension H_2 without cover strip