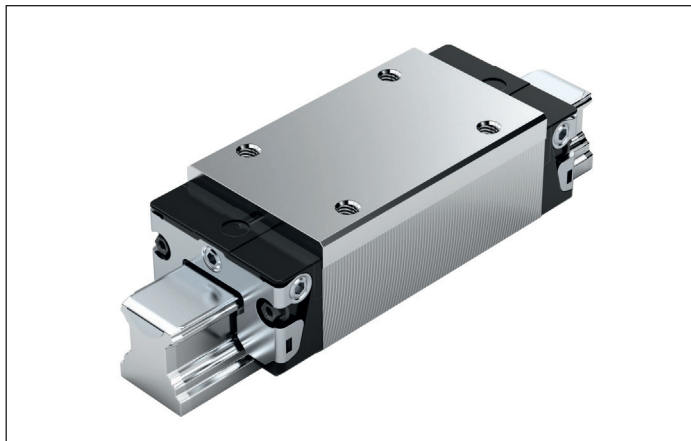


## SLH – slimline, long, high R1624 ... 2.

**Dynamic characteristics**Travel speed:  $v_{\max} = 5 \text{ m/s}$ Acceleration:  $a_{\max} = 500 \text{ m/s}^2$ (If  $F_{\text{comb}} > 2.8 \cdot F_{\text{pr}}$ :  $a_{\max} = 50 \text{ m/s}^2$ )**Note on lubrication**

► Pre-lubricated

**Note**

For all SNS/SNO ball guide rails.

**Options and part numbers**

Size	Ball runner block with size	Preload class				Accuracy class				Seal with ball runner blocks					
		C0	C1	C2	C3	N	H	P	XP	without ball chain			with ball chain		
										SS	LS <sup>1)</sup>	DS	SS	LS <sup>1)</sup>	DS
25	R1624 2	9				4	3	–	–	20	21	–	22	23	–
			1			4	3	2	8	20	21	2Z	22	23	2Y
				2		–	3	2	8	20	21	2Z	22	23	2Y
					3	–	–	–	8	20	21	2Z	22	23	2Y
30	R1624 7	9				4	3	–	–	20	21	–	22	23	–
			1			4	3	2	8	20	21	2Z	22	23	2Y
				2		–	3	2	8	20	21	2Z	22	23	2Y
					3	–	–	–	8	20	21	2Z	22	23	2Y
35	R1624 3	9				4	3	–	–	20	21	–	22	23	–
			1			4	3	2	8	20	21	2Z	22	23	2Y
				2		–	3	2	8	20	21	2Z	22	23	2Y
					3	–	–	–	8	20	21	2Z	22	23	2Y
45	R1624 4	9				4	3	–	–	20	–	–	22	–	–
			1			4	3	2	8	20	–	2Z	22	–	2Y
				2		–	3	2	8	20	–	2Z	22	–	2Y
					3	–	–	–	8	20	–	2Z	22	–	2Y
e.g.	R16247		1				3			20					

1) With accuracy classes N and H and XP in preload class C1 only.

**Order example**

Options:

- SLH ball runner block
- Size 30
- Preload class C1
- Accuracy class H
- With standard seal, without ball chain

Part number:

R1624 713 20

**Preload classes**

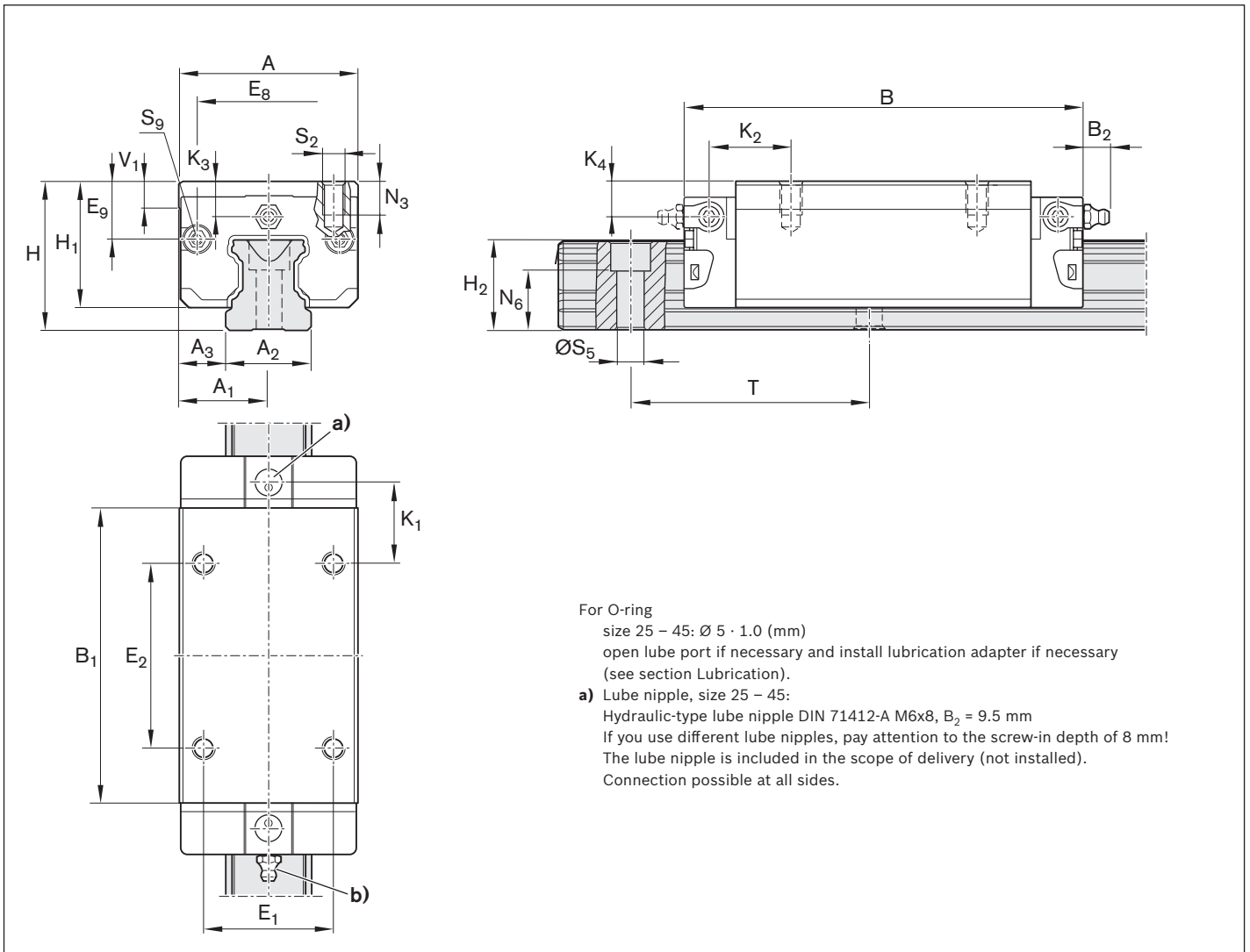
C0 = Without preload (clearance)  
 C1 = Moderate preload  
 C2 = Average preload  
 C3 = High preload

**Seals**

SS = standard seal  
 LS = low-friction seal  
 DS = double-lipped seal

**Key**

Gray digits  
 = No preferred variant/combination  
 (Some delivery times may be longer)



For O-ring  
 size 25 – 45:  $\text{Ø } 5 \cdot 1.0$  (mm)  
 open lube port if necessary and install lubrication adapter if necessary  
 (see section Lubrication).  
**a)** Lube nipple, size 25 – 45:  
 Hydraulic-type lube nipple DIN 71412-A M6x8,  $B_2 = 9.5$  mm  
 If you use different lube nipples, pay attention to the screw-in depth of 8 mm!  
 The lube nipple is included in the scope of delivery (not installed).  
 Connection possible at all sides.

Size	Dimensions (mm)																	
	A	A <sub>1</sub>	A <sub>2</sub>	A <sub>3</sub>	B <sup>+0.5</sup>	B <sub>1</sub>	E <sub>1</sub>	E <sub>2</sub>	E <sub>8</sub>	E <sub>9</sub>	H	H <sub>1</sub>	H <sub>2</sub> <sup>1)</sup>	H <sub>2</sub> <sup>2)</sup>	K <sub>1</sub>	K <sub>2</sub>	K <sub>3</sub>	K <sub>4</sub>
25	48	24	23	12.5	107.9	79.5	35	50	38.30	15.50	40	33.90	24.45	24.25	20.80	21.95	9.50	9.50
30	60	30	28	16.0	119.7	89.4	40	60	48.40	17.60	45	38.35	28.55	28.35	21.00	22.70	9.05	9.05
35	70	35	34	18.0	139.0	105.5	50	72	58.00	24.35	55	47.40	32.15	31.85	23.75	25.25	13.90	13.90
45	86	43	45	20.5	174.1	133.5	60	80	69.80	30.90	70	60.30	40.15	39.85	35.50	37.50	18.20	18.20

Size	Dimensions (mm)								Weight (kg)	Load capacities <sup>3)</sup> (N)		Load moments <sup>3)</sup> (Nm)			
	N <sub>3</sub>	N <sub>6</sub> <sup>±0.5</sup>	S <sub>2</sub>	S <sub>5</sub>	S <sub>9</sub>	T	V <sub>1</sub>	m		C	C <sub>0</sub>	M <sub>t</sub>	M <sub>t0</sub>	M <sub>L</sub>	M <sub>L0</sub>
25	9.0	15.2	M6	7.0	M3x5	60	7.5	0.80	37 300	52 500	530	750	530	740	
30	12.0	17.0	M8	9.0	M3x5	80	7.0	1.20	46 000	66 900	800	1 160	740	1 080	
35	13.0	20.5	M8	9.0	M3x5	80	8.0	2.10	66 700	116 000	1 440	2 500	1 290	2 240	
45	18.0	23.5	M10	14.0	M4x7	105	10.0	4.10	111 000	190 000	3 010	5 120	2 730	4 660	

- 1) Dimension H<sub>2</sub> with cover strip
- 2) Dimension H<sub>2</sub> without cover strip
- 3) Load capacities and load moments for ball runner blocks **without** ball chain. Load capacities and load moments for ball runner blocks **with** ball chain. 12

Determination of the dynamic load capacities and load moments is based on a 100,000 m travel life according to DIN ISO14728-1. Often only 50,000 m are actually stipulated. For comparison: Multiply values **C**, **M<sub>t</sub>** and **M<sub>L</sub>** by 1.26 according to the table.