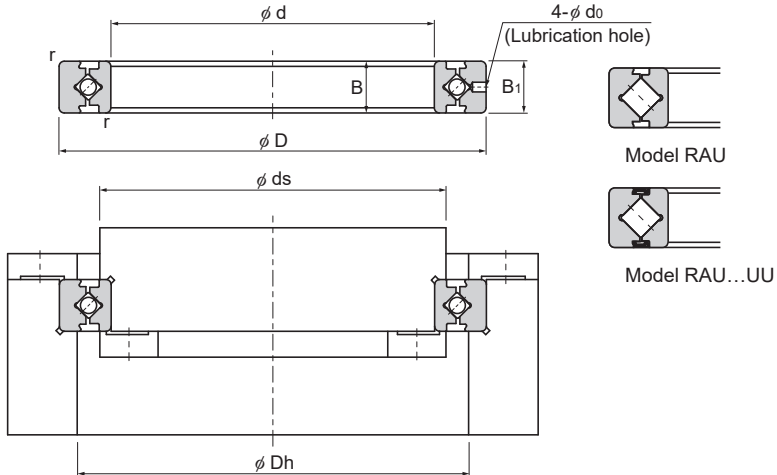


Model RAU (Model RA Interchangeable Type)



Unit: mm

Shaft diameter	Model No.	Main dimensions						Shoulder height		Basic load rating (radial)		Mass
		Inner diameter d	Outer diameter D	Roller pitch circle diameter dp	Width B B ₁	Lubrication hole d ₀	r _{min}	ds (max)	Dh (min)	C kN	C ₀ kN	
50	RAU 5008	50	66	57	8	1.5	0.5	53.5	60.5	5.10	7.19	0.08
60	RAU 6008	60	76	67	8	1.5	0.5	63.5	70.5	5.68	8.68	0.09
70	RAU 7008	70	86	77	8	1.5	0.5	73.5	80.5	5.98	9.80	0.1
80	RAU 8008	80	96	87	8	1.5	0.5	83.5	90.5	6.37	11.3	0.11
90	RAU 9008	90	106	97	8	1.5	0.5	93.5	100.5	6.76	12.4	0.12
100	RAU 10008	100	116	107	8	1.5	0.5	103.5	110.5	7.15	13.9	0.14
110	RAU 11008	110	126	117	8	1.5	0.5	113.5	120.5	7.45	15	0.15
120	RAU 12008	120	136	127	8	1.5	0.5	123.5	130.5	7.84	16.5	0.17
130	RAU 13008	130	146	137	8	1.5	0.5	133.5	140.5	7.94	17.6	0.18
140	RAU 14008	140	156	147	8	1.5	0.5	143.5	150.5	8.33	19.1	0.19
150	RAU 15008	150	166	157	8	1.5	0.5	153.5	160.5	8.82	20.6	0.2
160	RAU 16013	160	186	172	13	2	0.8	165	179	23.3	44.9	0.59
170	RAU 17013	170	196	182	13	2	0.8	175	189	23.5	46.5	0.64
180	RAU 18013	180	206	192	13	2	0.8	185	199	24.5	49.8	0.68
190	RAU 19013	190	216	202	13	2	0.8	195	209	24.9	51.5	0.69
200	RAU 20013	200	226	212	13	2	0.8	205	219	25.8	54.7	0.71

Model number coding

RAU5008 UU CC0 P4 B

Model number

Radial clearance symbol (*1)

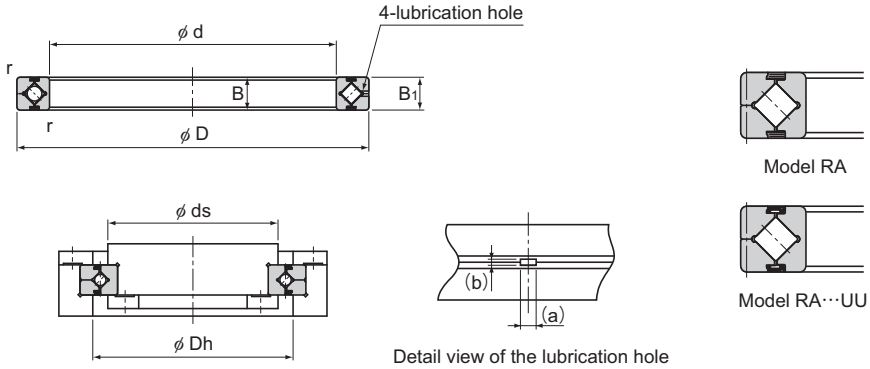
Accuracy symbol (*2)

Component accuracy symbol

Seal attached on both ends (seal attached on either end: U)

(*1)See **A18-18**. (*2)See **A18-14**.

Model RA (Separable Outer Ring Type)



Unit: mm

Shaft diameter	Model No.	Main dimensions							Shoulder height		Basic load rating (radial)		Mass
		Inner diameter d	Outer diameter D	Roller pitch circle diameter dp	Width B B ₁	Lubrication hole		r _{min}	ds (max)	Dh (min)	C	C ₀	
						a	b						
50	RA 5008	50	66	57	8	2	0.8	0.5	53.5	60.5	5.10	7.19	0.08
60	RA 6008	60	76	67	8	2	0.8	0.5	63.5	70.5	5.68	8.68	0.09
70	RA 7008	70	86	77	8	2	0.8	0.5	73.5	80.5	5.98	9.80	0.1
80	RA 8008	80	96	87	8	2	0.8	0.5	83.5	90.5	6.37	11.3	0.11
90	RA 9008	90	106	97	8	2	0.8	0.5	93.5	100.5	6.76	12.4	0.12
100	RA 10008	100	116	107	8	2	0.8	0.5	103.5	110.5	7.15	13.9	0.14
110	RA 11008	110	126	117	8	2	0.8	0.5	113.5	120.5	7.45	15	0.15
120	RA 12008	120	136	127	8	2	0.8	0.5	123.5	130.5	7.84	16.5	0.17
130	RA 13008	130	146	137	8	2	0.8	0.5	133.5	140.5	7.94	17.6	0.18
140	RA 14008	140	156	147	8	2	0.8	0.5	143.5	150.5	8.33	19.1	0.19
150	RA 15008	150	166	157	8	2	0.8	0.5	153.5	160.5	8.82	20.6	0.2
160	RA 16013	160	186	172	13	2.5	1.6	0.8	165	179	23.3	44.9	0.59
170	RA 17013	170	196	182	13	2.5	1.6	0.8	175	189	23.5	46.5	0.64
180	RA 18013	180	206	192	13	2.5	1.6	0.8	185	199	24.5	49.8	0.68
190	RA 19013	190	216	202	13	2.5	1.6	0.8	195	209	24.9	51.5	0.69
200	RA 20013	200	226	212	13	2.5	1.6	0.8	205	219	25.8	54.7	0.71

Note1) The model number of a type with seals attached is RA...UU.

If a certain level of accuracy is required, this model is used for inner ring rotation.

Note2) (a) and (b) dimensions of the lubrication hole in the detailed diagram are reference values.

Model number coding

RA7008 UU CC0

Model number

Radial clearance symbol (*1)

Seal attached on both ends (seal attached on either end: U)

(*1) See **A18-18**.